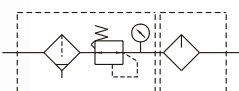


MACP400 series

AIR UNITS (F.R.L.UNIT)



Symbol:



Order example:

MACP400 – 10A – □ – BSP

MODEL

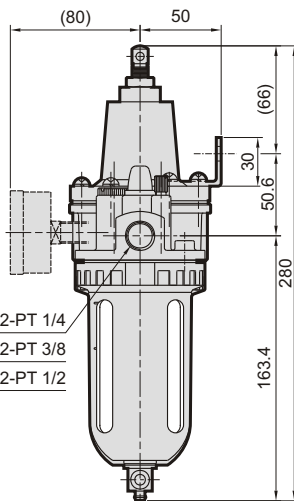
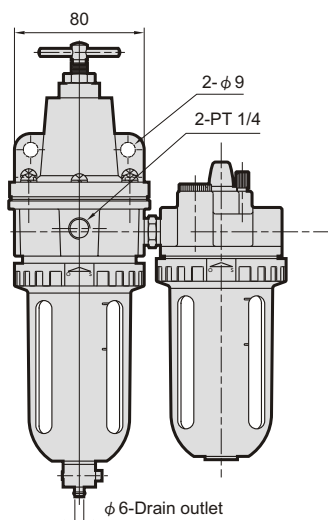
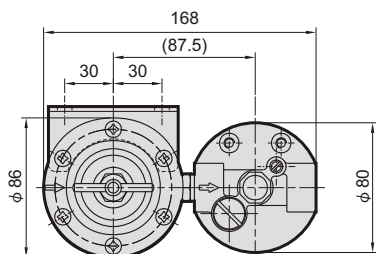
BORE SIZE

8A: PT 1/4
10A: PT 3/8
15A: PT 1/2

PORT THREAD

Blank: PT thread
BSP: BSP thread
NPT: NPT thread

D: auto drain valve
(MADV 400)



Specification:

Model	MACP400		
Components	MAFR400, MAL400		
Bore No.	8A	10A	15A
Port size	PT 1/4	PT 3/8	PT 1/2
Medium	Air		
Operating pressure range	0~9.9 kgf/cm ² (0~0.99 MPa)		
Proof pressure	15 kgf/cm ² (1.5 MPa)		
Regulation pressure range	0.5~8.5 kgf/cm ² (0.05~0.85 MPa)		
Ambient temperature	-5~+60°C (No freezing)		
Filtration	Standard: 40 μm Option: 5 μm		
Lubricating oil capacity	200c.c		
Min. flow for oil drip	50 ℓ/min	200 ℓ/min	400 ℓ/min
Recommended lubricating oil	Turbine oil ISO-VG32		
Attachment	Pressure gauge, bracket		
Weight	2300 g		

Flow feature:

